

8

7

6

5

4

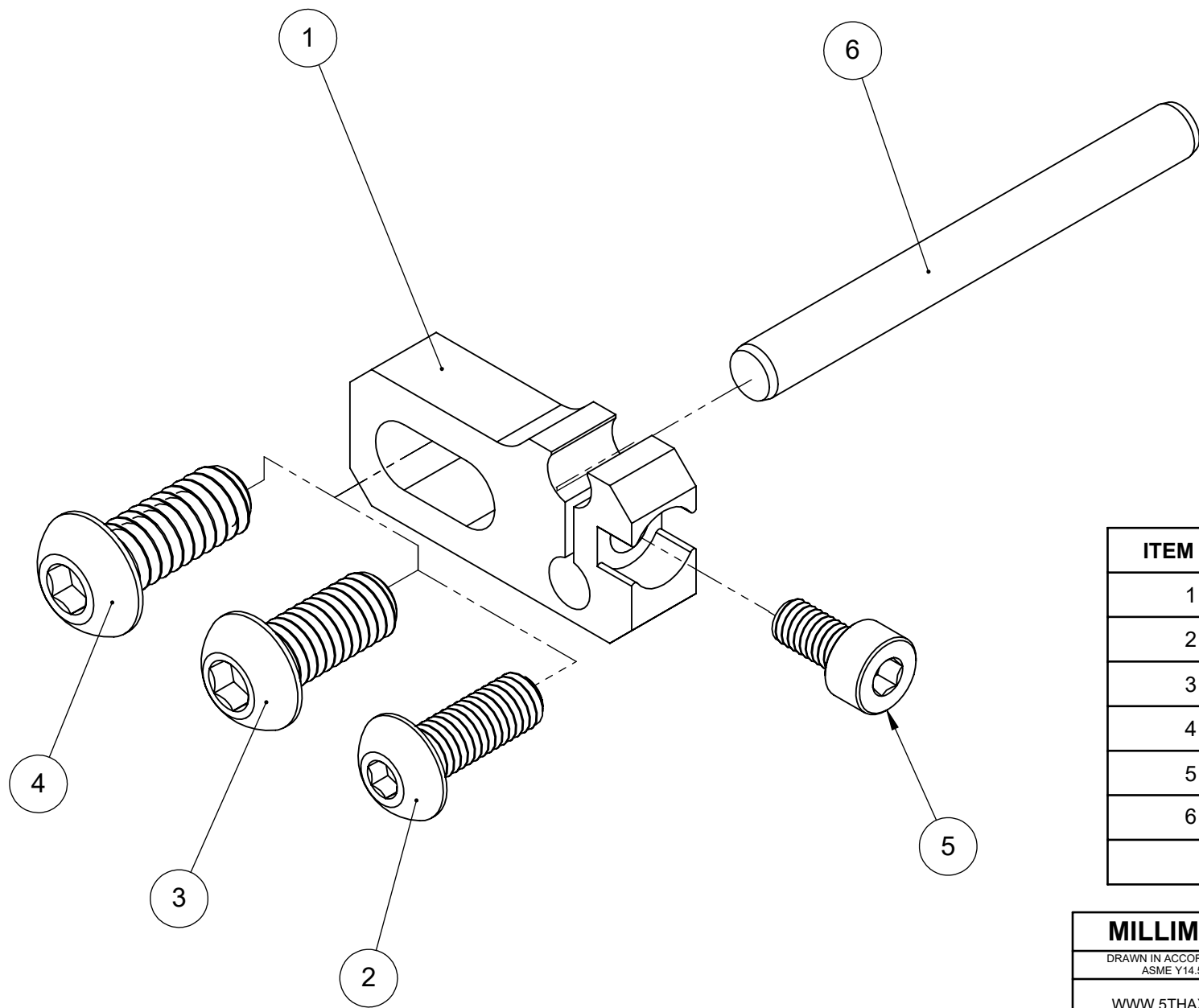
3

2

1

**MATERIAL:
1018 STEEL BLACK OXIDE**

WSM



JAW PART NUMBER	THREAD	USE BHCS	WISE
V75100-5	M5-0.8	2	V75100
V75100X-5	M5-0.8	2	V75100X, V75150X, DV75150X
V56124-5	1/4"-20	4	V552, V562
NT5-S	1/4"-20	4	V552, V562
V562M-5	M6-1.0	3	V552M, V562M, V510M, DV56, DV510
NT5-M	M6-1.0	3	V552M, V562M, V510M, DV56, DV510
V562M-5F	M6-1.0	3	DV56, DV510
V562X-5	M6-1.0	3	V562X, V510X
V6105-5	1/4"-20	4	V6105
V6105M-5	M6-1.0	3	V6105M

ITEM NO.	PART NUMBER	DESCRIPTION	QTY.
1	WSM-1	WSM-1	1
2	91239A230	M5-0.8 X 14mm BHCS	1
3	91239A319	M6-1.0 X 14mm BHCS	1
4	91255A539	1/4"-20 X 5/8" BHCS	1
5	91290A140	M4-0.7 X 8mm SHCS	1
6	91595A392	5mm Diameter 50mm Length Dowel Pin	1

FOR REFERENCE ONLY - NOT FOR RESALE

MILLIMETER

DRAWN IN ACCORDANCE WITH
ASME Y14.5-2009

WWW.5THAXIS.COM

7140 ENGINEER ROAD
SAN DIEGO, CA 92111

P (858) 505-0432
F (858) 505-9344

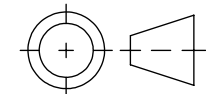
TOLERANCES

UNLESS OTHERWISE SPECIFIED

x ± 0.1 .xx ± 0.01
.x ± 0.05 .xxx ± 0.005

ANGULAR ± 0.5°

THIRD ANGLE PROJECTION



DESCRIPTION

WORK STOP

SIZE
B

PART NO.

WSM

REV
A

DO NOT SCALE DRAWING

SCALE 2:1

WEIGHT:

SHEET 1 OF 1

8

7

6

5

4

3

2

1

D

D

C

C

B

B

A

A